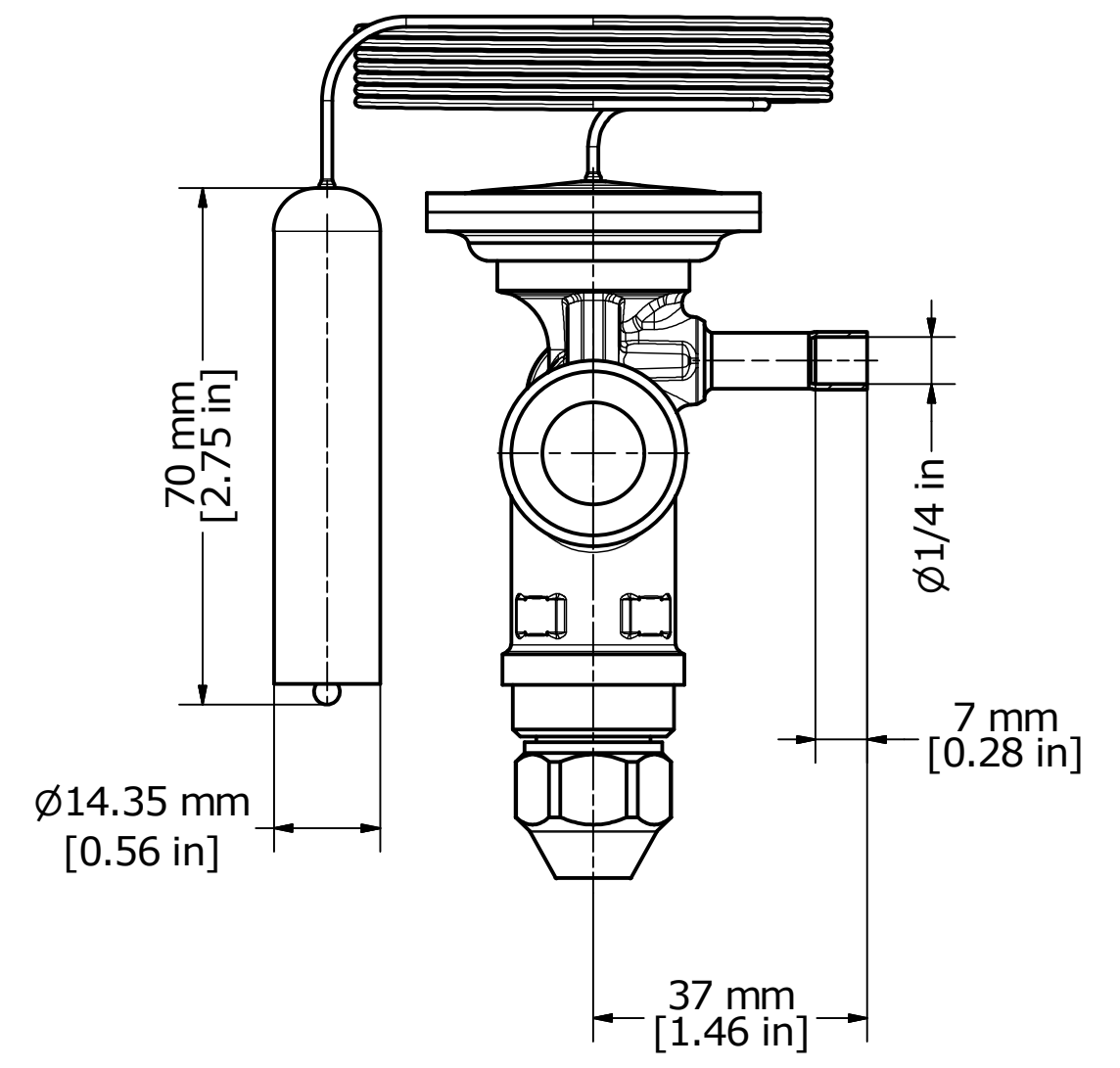


Danfoss
DIM067N8560-02



Note:
* Products follow <JB/T 3548-2013>